



# *Weldpro Supercool W300*



**Operator's Manual**

**LINLONG LIMITED**  
[www.weldpro.com](http://www.weldpro.com)

**THANK  
YOU**

**for your  
purchase!**



Take a moment and subscribe to our youtube channel. Weldpro is committed to releasing lots of tutorial and how-to videos to help you fine tune your welding skill.



Dear Valued customer,

We at Weldpro would like to thank you very much for being our valued customer. We take great pride in providing quality welding equipment at an affordable price.

As an experienced welder, your feedback (no matter positive or negative) will be an important factor for us to improve the quality of our product and our customer service. We would greatly appreciate if you would take a moment to provide feedback for the product that you purchased.

Weldpro is always there to assist you should you have any questions.

Sincerely, your friends at Weldpro!



**Linlong Limited**

1307 West Valley Highway North, Suite 103, Auburn, Washington 98001  
www.weldpro.com Tel:253-329-2179

**Technical support: 651 329 2686**

Email: support@weldpro.com



## IMPORTANT

**For any questions, concerns, or  
problems contact Weldpro**

**Support directly at  
651-329-2686**

# CONTENTS

- 1 PRODUCT DESCRIPTION..... 4
- 2 DESCRIPTION..... 5
- 3 TECHNICAL PARAMETERS..... 6
- 4 PRECAUTIONS..... 7
- 5 MAINTENANCE..... 8
- 6 PART LIST..... 9-10

# PRODUCT DESCRIPTION

---

## ELECTRIC SHOCK



- Electric shocks are hazardous and potentially may be fatal.
- Install and earth the welding machine according to the applicable regulations.
- Do not touch live electrical parts.
- Never operate the machine with the covers removed.

## MOVING PARTS



- Moving parts can cause injury or catch loose clothing.
- Always ensure panels and covers are fitted before operation or maintenance.

# DESCRIPTION

---

This equipment is ideal for cooling torches and welding applications by means of water recirculation via a closed system. The system comprises the following main parts:

- Single phase motor.
- Brass pump for long life.
- Coolant tank.
- Radiator.
- Main switch.

Some of the key features of the unit are:

- Corrosion free.
- No priming required.
- Quick fill and drain.
- Low and easy maintenance.



# TECHNICAL PARAMETERS

The content are just for your reference.  
Please refer to the actual product if anything is different or updated.

<b>Classification</b>	<b>Code</b>	<b>Weldpro Supercool W300</b>
<b>Voltage/Phase</b>		1~ 110V/220V 50/60Hz
<b>Motor</b>		260W
<b>Cooling Capacity</b>		1.7kW(1L/Min)
<b>Duty</b>		100%
<b>Max pressure</b>		0.3MPA
<b>Tank</b>		6.5L
<b>Flow Rate</b>		8.5 L /MINUTE AT 6mH
<b>Operation</b>		20°C~60°C
<b>Dimension</b>		580(L)x240(W)x245(H)mm
<b>Weight</b>		14KG
<b>Protection Class</b>		IP21

# PRECAUTIONS

---

- 1) If the cooler is not used for an extended period of time, Re-start the motor and make sure the water is circulating to prevent torch damage from lack of coolant
- 2) Make sure the tank is filled with enough clean water and all the connectors are fixed firmly. Always be sure the water tank is kept with enough water over the safety line. Pump may be damaged by running it with insufficient coolant in the tank.
- 3) Make sure the input voltage is correct. See the technical data. Motor damage can occur.
- 4) If the motor works well ( air circulation from the radiator), but the water circulation is poor or no water, please pump in light pressure air from compressor to inlet or outlet for 20seconds.
- 5) If the motor will not work properly check the following:
  - a. The input voltage is too low, please change the electric supply.
  - b. The starting capacitor is burn out, please replace.
  - c. The pump may loose prime if the motor is not run long time. Please pump air into the INPUT  or OUTPUT  for 20sec. to prime the pump.
  - d. The motor has to be replaced if it is burnt out.
- 6) Keep the water cooling unit on a level plane. Pump may starve for water if placed on a tilted plane.
- 7) This equipment is used for cooling the torch of welder, so that the torch doesn't burn-up from the over high temperature. The cooling fluid must be pure water or distilled water to avoid the torch from overheating. Please add water upper warn line, when the water under the warn line 3CM. If the water in tank has been used for a long time and very dirty, please open the cover under the bottom of the tank and change the new water.
- 8) Because there is a motor in the equipment, the water cooler can't be used in the rain. No water is allowed to come in the loop of the motor avoiding a shortage to burn-up the motor.



# MAINTENANCE

---

**Warning – Before carrying out any internal inspection disconnect the unit from the mains supply.**

- Avoid use of unsuitable and conductive cooling fluid.
- Periodically check the level of the cooling fluid.
- Add fluid when the level drops below the minimum level indicator.
- Add antifreeze when the room temperature is below 10 °C.
- Make sure all the joints and connections are tight and there are no leaks.
- Periodically clean the radiator with clean dry air to eliminate blockages that may affect the efficiency.

**IMPORTANT – Always use original spare parts which have been specially designed for the equipment. The use of alternate parts may affect the performance of the unit.**

- After long periods of not being used ensure the water is circulating freely through the system.
- The pump may be damaged if run with insufficient coolant.
- Ensure the unit is connected to a suitable mains supply.
- The motor will not run if:
  - The mains voltage is too low
  - The start capacitor is defective
  - The motor is defective
  - The motor has not been used for a long period. This may be corrected by pumping compressed air into the water inlet or outlet connection for 20sec.

**Note:**

**The water cooler with about 10V inductive voltage is harmless to humans.**

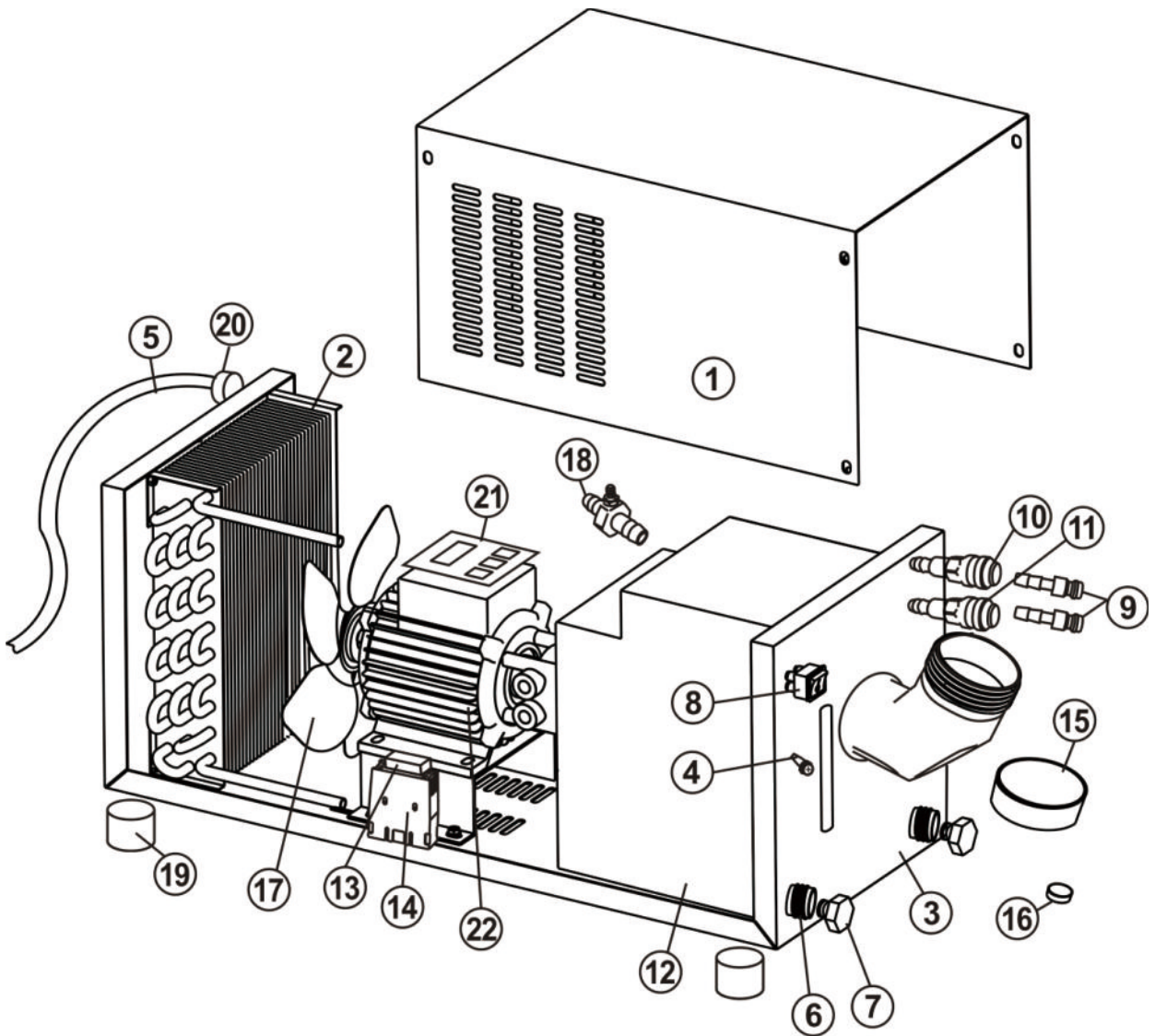
**Ground connection can remove inductive voltage.**

**Some water coolers are dual voltage machines and will run on either 110 or 220 volts your machine may be supplied with an adapter plug for use in either connection.**

**Be sure to use a quality anti-freeze in your water cooler if your area experiences freezing temperatures.**

# PART LIST

No.	Code	Description
1	EY1909-T15S0101Y6	Top cover
2	ED074001-1	Radiator(Cu-3 rows)
3	EY1909-T15X0101B1	Bottom panel
4	DG084020	Fuse holder
	DG073000	Fuse
5	XJ082100	Power cord
6	JC055002-10	Drain plug
7	JC055003-10	Screw nut with plug
8	KE055005-3C	Main switch
	KE055005-3T	Power switch waterproof cover (use with KE055005-3C)
9	JC062100	Quick connector-male
10	JC062101-3	Red inlet quick connector-female
11	JC062102-3	Blue outlet quick connector-female
12	SS093000-1	Water tank
13	KB072004	Auxiliary contact group of AC contactor
14	KB072100	Magnetic switch
15	SS093001	Big cover of tank
16	SS063000	Small cover of tank
17	MB055000-A	Fan
18	JC073500	Water tank tee
19	SG055005	Rubber foot
20	SE055000	Cable holder
21	PT110500	110V / 220V automatic conversion control board
22	MB083000-D	Motor



**LINLONG LIMITED**  
[www.weldpro.com](http://www.weldpro.com)